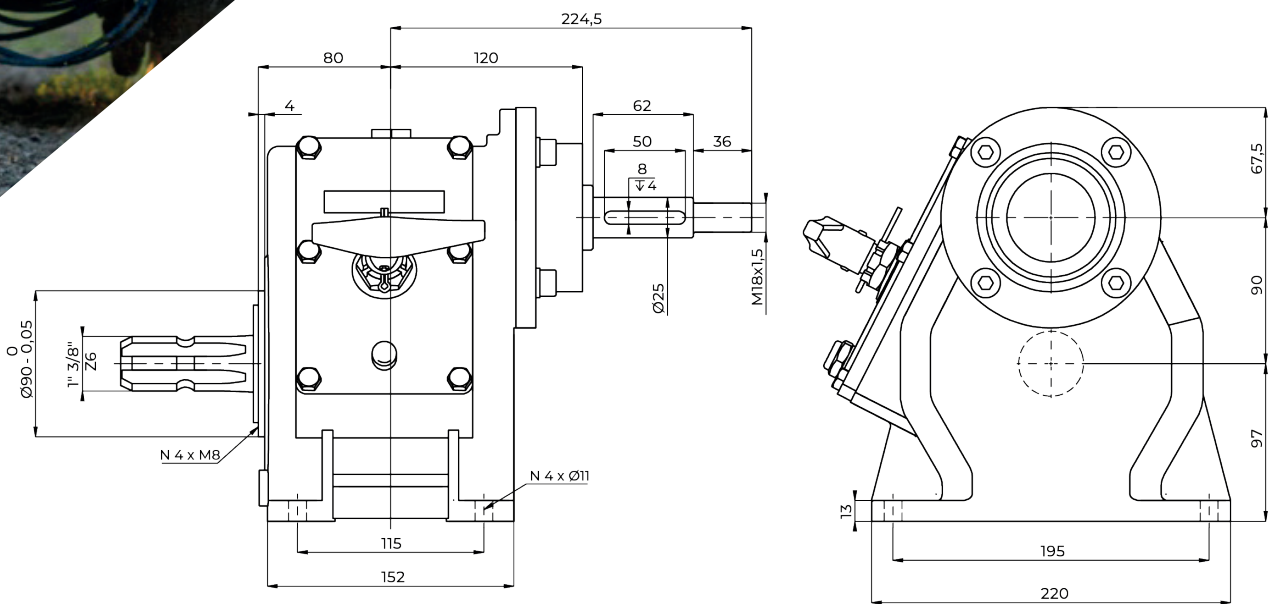


F64 GEARBOXES



OVERDRAW GEARS	GEAR RATIO	INPUT REV gri/min-rpm	INPUT POWER		OUTPUT REV gri/min-rpm	CODE	WEIGHT
			CV	kW			
	1:3.69	540	30	22.1	1960.2	F64	25 Kg
	1:4.8	540	30	22.1	2592	BEARINGS	W 6305 Y 6207 X 6208 Z 6207

MATERIALS	SHAFTS	GEARS	BOX	TOOTHING	
	20MnCr5	16CrNi4	Cs400	C.T.R HELICOIDAL AND SHAVED TOOTH	

Gear ratio and output shaft length can be modified to fit customers' needs.