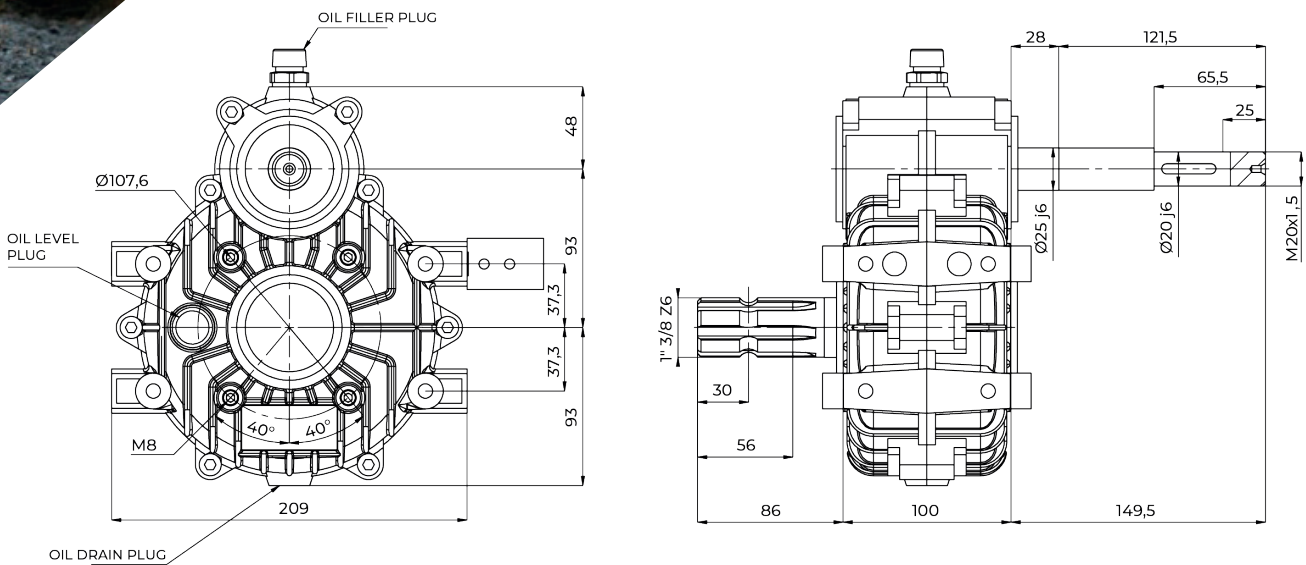


F44 GEARBOXES



OVERDRAW GEARS	GEAR RATIO	INPUT REV gri/min-rpm	INPUT POWER		OUTPUT REV gri/min-rpm	CODE	WEIGHT
			CV	kW			
	1:4.6	550	19	13.9	2530	F44	7.8 Kg

MATERIALS	SHAFTS	GEARS	BOX	TOOTHING
	16MnCr5	16MnCr5	AlSi9Cu3	C.T.R HELICOIDAL AND SHAVED TOOTH

Gear ratio and output shaft length can be modified to fit customers' needs.